

orion[®]
FLEX[™]
S E R I E S

LP & HP Series Turntable Stretch Wrapping Systems

Flex turntable stretch wrappers are available in three configurations so you can be sure to find the right machine for your application.

Automatic

Flex A Series machines offer maximum efficiency and economy. Available in high or low profile models.

Deluxe

The Flex D Series is the semi-automatic workhorse of the industry. Available in high or low profile models.

Standard

The Flex S Series high and low profile models offer exceptional value and quality at an affordable price point.



Advantages of Orion Flex Stretch Wrappers



DURABLE CONSTRUCTION

For over 35 years Orion has built stretch wrapping equipment using heavy gauge steel tube, plate and sheet steel to provide a robust framework that will survive year after year in even the harshest industrial environments. Powder coat paint is used to insure a long lasting and durable finish.



EFFICIENT FILM DELIVERY

Orion's InstaThread™ powered prestretch film delivery system has been proven over many thousands of installations worldwide. Its unique non-contact automatic corner compensation method insures that film is applied at the same tension at every part of the load. Film is elongated at a standard rate of 260% (higher & lower available) to give you the most secure loads at the lowest cost.



WIDE RANGE OF OPTIONS

A wide range of options are available for Flex models so you can customize your machine to your exact application. Some of the more popular options include: Loading Ramp, 30" Film Carriage, Load Stabilizing Platen, Dual Turntable, Built In Scale, InstaCut Film Severance, Oversize Turntable, Split Base, Extended Height Mast, Extended Base, Cold Pack and Freezer Pack.



HIGH OR LOW PROFILE

Some competitors only offer low profile models. While low profile machines can be loaded easily with electric walkies and pallet jacks, they are more difficult to load by forklift where the drivers may need to reposition the load to center it on the turntable. Drivers can get closer to high profile turntables and position the pallet load in one step.



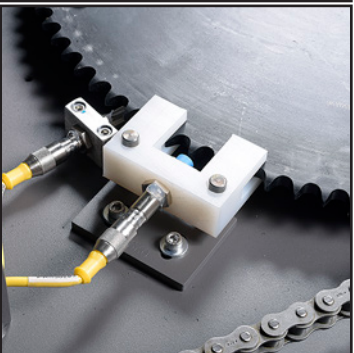
ALL AC MOTORS

Forget the maintenance hassles of DC motors. Orion machines use AC motors with variable frequency drives for low maintenance, high performance and maximum efficiency. If a VFD needs to be replaced, the IntelliVue™ controller allows automatic uploading of parameters for a change over that takes only a few minutes.



NON-PROPRIETARY PARTS

Orion Flex stretch wrapping machines are designed with many non-proprietary parts such as motors, gearboxes and photoeyes. This means that replacement parts can be sourced either locally or through your authorized Orion distributor. This saves time, money and maximizes your uptime.



RevoLogic™ TECHNOLOGY

Orion's RevoLogic™ is an exact tooth counting technology that allows Orion Flex machines to apply top wraps and bottom wraps more precisely than competitive models. When the photoeye detects the top of the load, the PLC begins counting teeth so that regardless of where the turntable is, you'll get the exact number of top and bottom wraps programmed. This saves time and stretch film.

A NAME YOU CAN TRUST

Over the last 35 years Orion has been designing and building the most durable, feature-packed and efficient stretch wrappers on the market. And being a part of Pro Mach, North America's largest packaging company, gives Orion unmatched financial stability as well as access to some of the most talented and experienced engineers and designers in the packaging industry.





IntelleVue™ HMI

New for 2016, Orion introduces the IntelleVue™ human machine interface that features a full color, HD industrial-grade touch panel with built in PLC. Menu driven controls make it as easy to use as a smart phone. Built-in network capability make it possible to monitor machine status and troubleshooting over a network. A USB port allows for fast and easy software updating.



Orion is proud to offer the Standard, or "S" Series, the latest addition to the popular Flex Series of stretch wrapping machines. The High Profile Standard (HPS) and Low Profile Standard (LPS) have been designed to provide the same standards of durability, reliability and performance as other Flex models, yet at an affordable price. Flex S Series wrappers are ideal in applications where low to medium throughput requirements are needed.



Flex Low Profile Standard Performance Features

- 12 RPM Variable Speed with 'soft-start'
- 4,000 lb. Maximum Load Weight Capacity
- 260% Powered Pre-stretch Reduces Film Cost
- Automatic Force to Load for Even Film Tension
- IntelVue™ 5.7" HD Color Touch Screen HMI
- 63" Round Turntable for Loads up to 52"x52" (LP)
- Max Load Height 80" Standard, 110" Optional
- IntelVue™ Color Touch Screen HMI
- AC/VFD Motors Eliminate Brush Maintenance
- Automatic Load Height Photoeye
- Structural Steel Frame for Long-Term Durability
- Side Facing Film Carriage for Easy Film Load
- Forklift Portable from Front or Rear
- Long-Lasting DuraGlide™ Bearing Support (LP)
- No-Slip Direct Chain & Sprocket Turntable Drive
- Separate UP/DOWN Carriage Speed



Flex High Profile Standard Performance Features

- 12 RPM Variable Speed with 'soft-start'
- 4,000 lb. Maximum Load Weight Capacity
- 260% Powered Pre-stretch Reduces Film Cost
- Automatic Force to Load for Even Film Tension
- IntelVue™ 5.7" HD Color Touch Screen HMI
- 48"x48" Turntable for Loads up to 52"x52"
- Max Load Height 80" Standard, 110" Optional
- Octagonal Turntable for Easy Forklift Loading
- AC/VFD Motors Eliminate Brush Maintenance
- Automatic Load Height Photoeye
- Structural Steel Frame for Long-Term Durability
- Side Facing Film Carriage for Easy Film Load
- Forklift Portable from Front of Machine
- 4 Heavy-Duty Turntable Support Casters
- No-Slip Direct Chain & Sprocket Turntable Drive



Feature for feature, dollar for dollar, Orion Flex S-Series wrappers offer you the best value of any competitively priced machine on the market today.

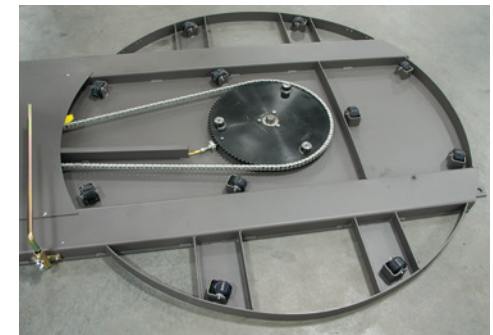
IntelleVue™ Control Panel

- Color HD Touch-Screen for Wrap Program, Adjustments
- Tamper Resistant, 3 Levels of Password Protection
- Industrial Switches for E-Stop & Main Power
- Lock-Out capable Main Power Switch
- Ethernet Port for Remote Connectivity Diagnostics
- Web-Based Dashboard for Remote Viewing of data
- USB port for easy uploading software updates
- Cycle Counters & Fault Code Records
- High / Low Turntable Speed Toggle
- English & Spanish Languages

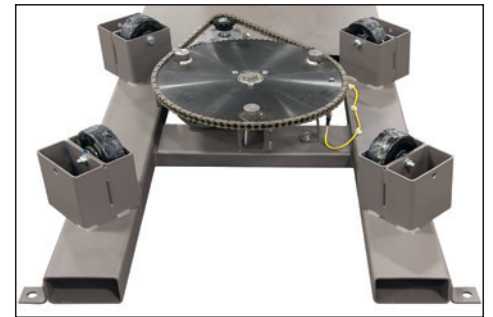


Orion InstaThread™ Film Delivery System

All Flex Series machines help you reduce cost with every load you wrap. With a standard film pre-stretch rate of 260% (higher than most competitive machines) you'll not only save money by using less film, the film on the load will be stronger, so loads are securely wrapped for storage or shipping. Film loading is fast, safe and easy: simply open the door, drop in the film tail, then close and latch the door.



Flex LPS base showing chain drive, heavy duty steel frame and 11-point easy change roller casters for smooth operation and long term durability.



Flex HPS base with reliable chain drive, heavy duty steel frame and 4 industrial casters for turntable support.



Flex S Series machines feature a dual chain film carriage lift for smooth and reliable fail-safe operation.

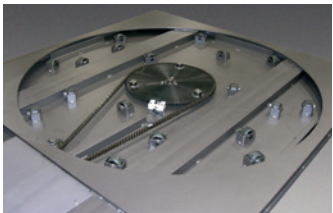




Flex D models are the result of 35 years of building rugged, reliable stretch wrapping machines. Built for most demanding industrial environments, Flex Deluxe Series machines feature a durable steel framework, AC motors with VFD drives, a belt-driven carriage lift and a heavy-duty turntable support system. Flex Series machines include the 260% (standard) InstaThread™ film delivery system to give you maximum load-holding strength using the least amount of stretch film.

Flex Low Profile Deluxe Performance Features

- 15 RPM Variable Speed with 'soft-start'
- 5,000 lb. Maximum Load Weight Capacity
- Economical 260% Powered Film Pre-stretch
- Automatic Force to Load for Even Film Tension
- 63" Diameter Turntable for Loads up to 55"x55"
- Max Load Height 80" Standard, 110" Optional
- Load via Pallet Jack*, Electric Walkie* or Forklift
- AC/VFD Motors Eliminate Brush Maintenance
- Full Surround Deck Makes Loading Easier
- Structural Steel Frame for Durability
- Side Facing Film Carriage for Easy Film Load
- Forklift Portable from Front or Rear
- DuraGlide™ Support Rollers for quiet & reliable operation



Flex A and D low profile models feature a full bottom steel deck with structural fork tubes that run the length of the machine.

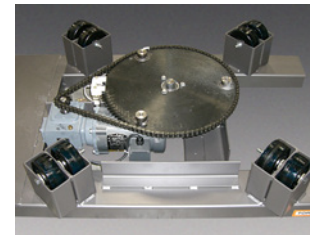


The turntable is supported by 18 DuraGlide™ drop-in cam rollers designed for quick replacement if needed.



Flex High Profile Deluxe Performance Features

- 15 RPM Variable Speed with 'soft-start'
- 5,000 lb. Maximum Load Weight Capacity
- Economical 260% Powered Film Pre-stretch
- Automatic Force to Load for Even Film Tension
- 48"x48" Turntable for Loads up to 55"x55"
- Max Load Height 80" Standard, 110" Optional
- Octagonal Turntable for Easy Forklift Loading
- AC/VFD Motors Eliminate Brush Maintenance
- Structural Steel Frame for Durability
- Side Facing Film Carriage for Easy Film Load
- Forklift Portable from Front or Rear
- 8 Heavy-Duty Turntable Support Casters



Flex HPD high profile offers reliable chain drive, a heavy duty steel frame and 8 industrial casters for turntable support.



For day in, day out reliability, Orion HPD and LPD models can't be beat. They're loaded with time-tested and field proven technology.



Murr Block

All electrical connections on the film carriage go through a Murr block which features status LED lights and quick disconnect wire termination. These features help technicians trouble-shoot the machine and reduces time to replace parts.

State-of-the-art Controller

From the 7" HD IntelVue™ HMI with an HD color touch panel, to its advanced PLC and AC variable frequency drives inside, every aspect of the Flex control package has been designed for minimal maintenance, maximum reliability, and intuitive ease-of-use. Software update? No problem, simply download the software on a USB drive and plug it in to the PLC.

Orion InstaThread™ Film Delivery System

Flex Series machines help you reduce cost with every load you wrap. With a standard film pre-stretch rate of 260% (higher than most competitive machines) you'll save money by using less stretch film, plus the film on the load will be stronger so pallet loads are safe and secure for storage or shipping.



Optional Heavy Duty Ramp for Easy Loading via Electric Walkie or Pallet Jack

An optional Flex loading ramp can be placed in any one of three loading positions: right, left or center. Flex LPA and LPD models feature a full surround deck around the turntable for added convenience when placing loads.

Gradual turntable acceleration (soft-start) assures that light or unstable loads can be wrapped without toppling.



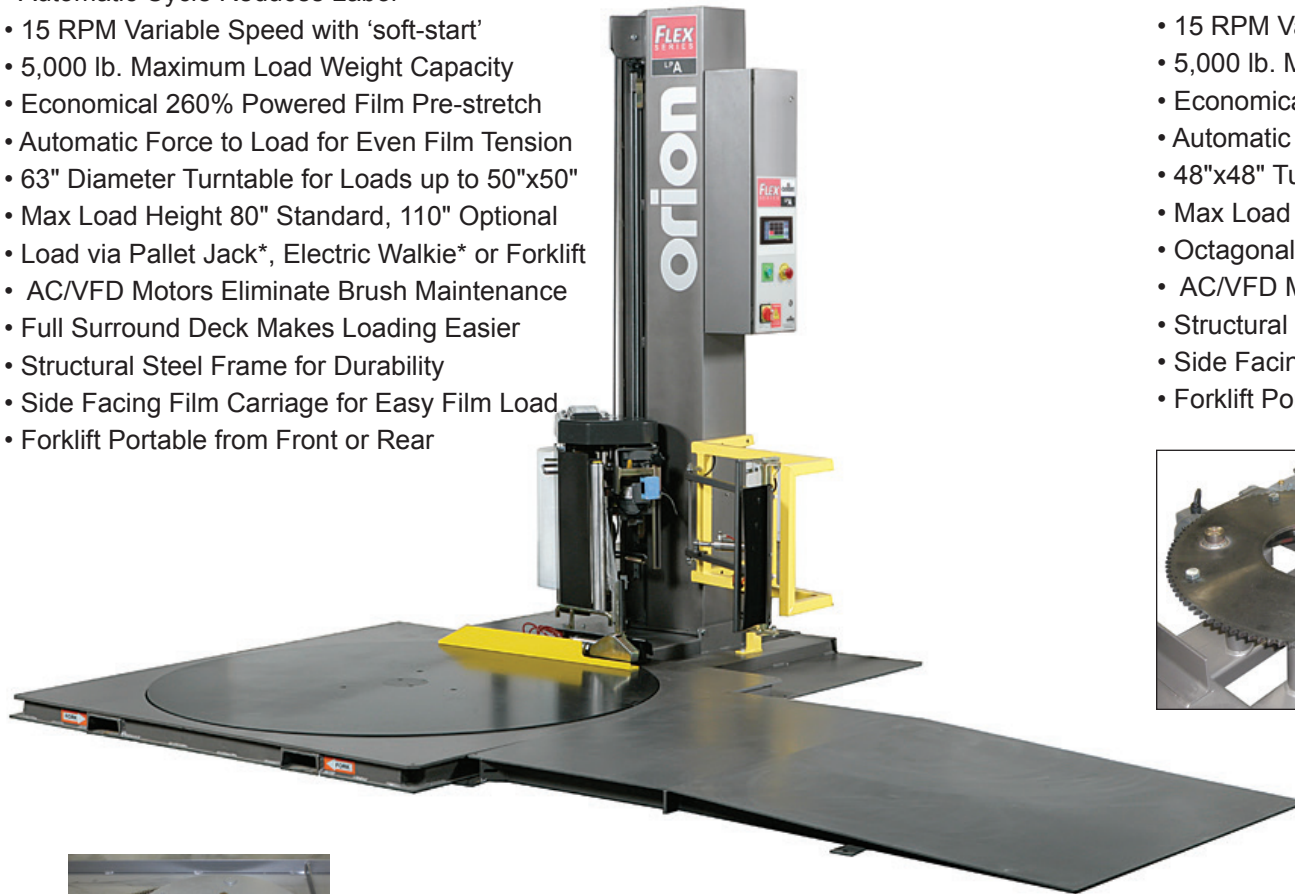


Flex A models eliminate the need for operators to attach and cut the stretch film. Simply place the pallet load on the machine, then pull the hanging lanyard switch or push an optional remote control start button. No need for an operator to tie the film tail to the load at the beginning of the cycle, or detach it at the end. Forklift drivers can stay aboard their vehicle and tend to other duties while loads are wrapped. You'll save time, money and boost your efficiency.



Flex Low Profile Automatic Performance Features

- Automatic Cycle Reduces Labor
- 15 RPM Variable Speed with 'soft-start'
- 5,000 lb. Maximum Load Weight Capacity
- Economical 260% Powered Film Pre-stretch
- Automatic Force to Load for Even Film Tension
- 63" Diameter Turntable for Loads up to 50"x50"
- Max Load Height 80" Standard, 110" Optional
- Load via Pallet Jack*, Electric Walkie* or Forklift
- AC/VFD Motors Eliminate Brush Maintenance
- Full Surround Deck Makes Loading Easier
- Structural Steel Frame for Durability
- Side Facing Film Carriage for Easy Film Load
- Forklift Portable from Front or Rear

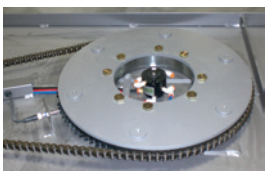


Flex High Profile Automatic Performance Features

- Automatic Cycle Reduces Labor
- 15 RPM Variable Speed with 'soft-start'
- 5,000 lb. Maximum Load Weight Capacity
- Economical 260% Powered Film Pre-stretch
- Automatic Force to Load for Even Film Tension
- 48"x48" Turntable for Loads up to 50"x50"
- Max Load Height 80" Standard, 110" Optional
- Octagonal Turntable for Easy Forklift Loading
- AC/VFD Motors Eliminate Brush Maintenance
- Structural Steel Frame for Durability
- Side Facing Film Carriage for Easy Film Load
- Forklift Portable from Front or Rear



Turntable support on the Flex HPA is provided by a heavy duty precision ring bearing for long term durability.



A precision ring bearing and Orion's DuraGlide™ rollers provide reliable support for loads weighing up to 5,000 pounds.

* Optional ramp required for pallet jack, electric walkie loading

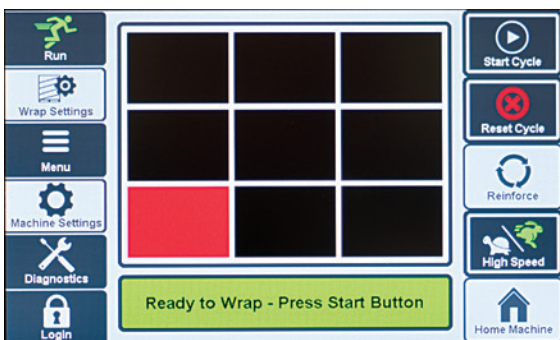


Control Panel HMI

The 7" IntelVue™ HMI is a new menu-driven interface designed to be simple and easy to understand. There are 3 levels of security lock out to allow you to lock in wrap settings for maximum economy and consistency.

PLC Controller

- Non-Proprietary PLC
- NEMA 12 Rated Control Box
- A models Include Lanyard switch for remote start
- Large E-Stop / Cycle Pause Button
- Power Lockout Disconnect Switch



The IntelVue™ HD touch panel

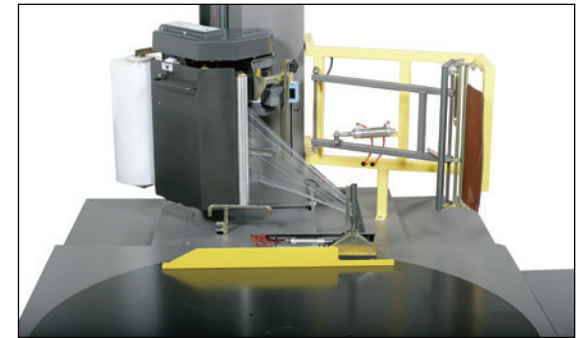


Flex models use an industrial grade woven belt carriage lift for long service life and reliability. Orion's "drop lock" system locks the carriage in place and prevents it from dropping in the unlikely event of belt breakage.

Flex stretch wrapping machines help you reduce material costs, labor costs and because they're so well built, your true cost of ownership.

Flex machines are built rock solid

All Flex models are built from heavy gauge structural and formed steel to assure a long lasting, durable machine. For convenience, all machines are forklift portable from either the front or rear of the machine. Mounting tabs are provided for easy lagging to the floor if desired.



Orion InstaThread™ Film Delivery System

Film threading is fast, easy and safe thanks to simple "drop-in" film loading. Simply open the gate, drop the film tail in, and close the gate.



Orion InstaThread™ film carriage and film tail treatment mechanism on Flex LPA (top) and Flex HPA (bottom).

Why High Profile is Better Than Low Profile for Forklift Loading

- Turntable is not in harms way of forklift wheels
- Easier to center the pallet on turntable without double positioning
- More structural frame to absorb impact from load drops
- Easier to access under turntable for cleaning & maintenance



Popular Flex Series Options

Contact your local Orion distributor for the best configuration for your application.

- Loading Ramp
- Oversize Load Configuration
- 30" InstaThread™ Film Carriage
- Insta-Cut™ Automatic Film Web Severance
- “Stretch & Weigh™” Scale Package
- Dual Turntable Option
- Extra Heavy Load Weight Capacity
- Environmental Options (Cold, Freezer, Dust)



The Insta-Cut option on Flex S & D models eliminates the need for operators to manually sever the film web at the end of the wrapping cycle.



The motorized top platen option is ideal for unstable loads. The platen lowers to press down on the top of the load while wrapping.



The split base option is used with oversized loads. This option can be combined with the scale option to provide an accurate load weight.



The dual turntable option, available for high or low profile models, increases efficiency by allowing simultaneous load staging and wrapping.



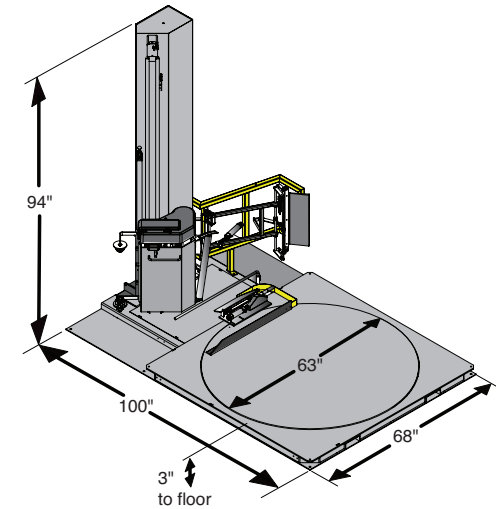
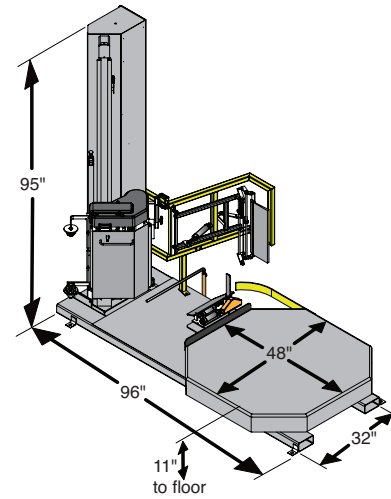
The gravity or power conveyor option allows for integration with infeed and exit conveyor for easy roll-on, roll-off load movement.



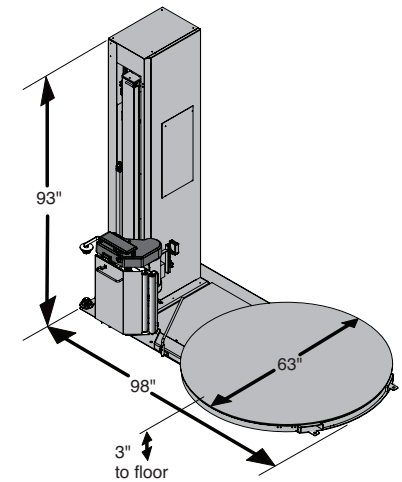
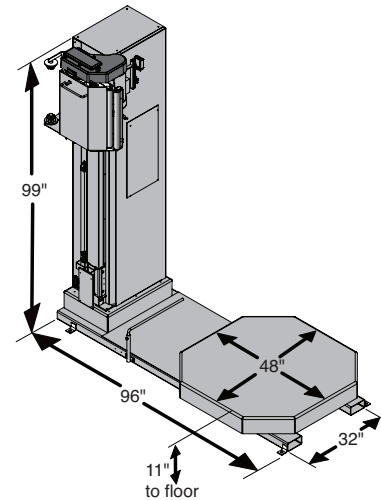
Features & Available Options

Flex FEATURES Chart	LPA	HPA	LPD	HPD	LPS	HPS
Automation						
Automatic Load Height Detection	Std.	Std.	Std.	Std.	Std.	Std.
Automatic Film Clamp/Cut	Std.	Std.	N A	N A	N A	N A
Automatic Film Press-to-Load	Std.	Std.	N A	N A	N A	N A
Automatic Film Severance - InstaCut	N A	N A	Option	Option	Option	Option
Controls & Drives						
IntelleVue Operator Interface	Std.	Std.	Std.	Std.	Std.	Std.
5.7" HD Color Touch Screen HMI Display	N A	N A	N A	N A	Std.	Std.
7" HD Color Touch Screen HMI Display	Std.	Std.	Std.	Std.	N A	N A
Password Lock-Out Capability	Std.	Std.	Std.	Std.	Std.	Std.
Industrial PLC (non proprietary)	Std.	Std.	Std.	Std.	Std.	Std.
Separate UP/DOWN Carriage Speeds	Std.	Std.	Std.	Std.	Std.	Std.
UL Approved Control Panel	Std.	Std.	Std.	Std.	N A	N A
NEMA 12 Control Box	Std.	Std.	Std.	Std.	N A	N A
AC Motors with Variable Frequency Drives	Std.	Std.	Std.	Std.	Std.	Std.
Spanish HMI Capability	Std.	Std.	Std.	Std.	Std.	Std.
Turntable						
4,000 Pound Capacity	N A	N A	N A	N A	Std.	Std.
4,500 Pound Capacity	N A	N A	N A	N A	N A	Option
5,000 Pound Capacity	Std.	Std.	Std.	Std.	N A	N A
6,000 Pound Capacity	Option	Option	Option	Option	N A	N A
Steel Deck Frame Surrounding Turntable	Std.	N A	Std.	N A	N A	N A
8 Point Caster Support	N A	N A	N A	Std.	N A	Option
4 Point Caster Support	N A	N A	N A	N A	N A	Std.
Multiple DuraGlide Support Bearings	Std.	N A	Std.	N A	Std.	N A
Precision Ring Bearing Support	Std.	Std.	Option	Option	N A	N A
Direct Chain & Sprocket Drive	Std.	Std.	Std.	Std.	Std.	Std.
Film Carriage						
InstaThread @ 260%	Std.	Std.	Std.	Std.	Std.	Std.
Automatic Force-to-Load Control	Std.	Std.	Std.	Std.	Std.	Std.
Drop-In Film Threading	Std.	Std.	Std.	Std.	Std.	Std.
Lifetime Warranty Stretch Rollers	Std.	Std.	Std.	Std.	Std.	Std.
Adjustable Ultra Low Wrap Feature	Std.	N A	Std.	N A	Std.	N A
Structural						
Powder-Coat Paint	Std.	Std.	Std.	Std.	Std.	Std.
Structural Steel Base	Std.	Std.	Std.	Std.	Std.	Std.
Forklift Portable from Front	Std.	Std.	Std.	Std.	Std.	Std.
Forklift Portable from Rear	Std.	Std.	Std.	Std.	N A	N A
Steel Deck Frame Surrounding Turntable	Std.	N A	Std.	N A	N A	N A
Electric-Walkie or Pallet-Jack Ramp	Option	N A	Option	N A	Option	N A
Safe Interaction						
Drop-In Film Threading	Std.	Std.	Std.	Std.	Std.	Std.
Film Carriage Down Obstacle Detection	Std.	Std.	Std.	Std.	Std.	Std.
Film Carriage "Drop-Lock" Technology	Std.	Std.	Std.	Std.	N A	N A
Steel Guarding at Film Clamp/Cut/Press	Std.	Std.	N A	N A	N A	N A

HPA, LPA, HPD, LPD Dimensions



HPS, LPS Dimensions



Dimensions shown are approximate.



Orion Packaging Systems
powered by Pro Mach
4750 County Rd. 13 NE
Alexandria, MN 56308
Toll Free (800) 333-6556
Telephone: (320) 852-7705
Fax: (320) 852-7621
Email: sales@orionpackaging.com
Web: www.orionpackaging.com
Bulletin #FLEX_05/16CC



Proudly Made in the U.S.A.